

39301 High Strength Hexsert

Steel · Large flange · Hexagonal · Open end
M6 - M12

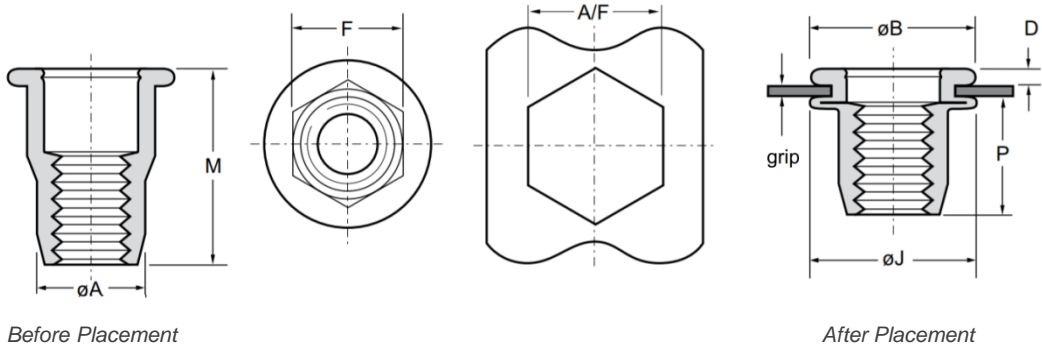


Features

- Provides clamp force comparable to weld nuts and clinch nuts in high torque applications
- Exceptional torque capability and increased thread strength
- Provides high-strength threads in thin materials starting at 0.5 mm
- If excessive torque is applied, the screw shank should fail before the insert, avoiding over-tightening problems such as thread stripping and expensive rework
- Large flange head provides a load bearing surface and reinforces the hole to prevent push-out

Material

- Low carbon steel, zinc plated, clear trivalent passivated
(DIN EN 10263-2 Qst 34-3, BS EN/DIN 10263-2 C8C, Werkstoff 1.0213, SAE 1008)



Part No.	Thread Size	Grip Range		A/F		ϕA	ϕB		D	F	ϕJ		M	P
		min.	max.	min.	max.	± 0.08	min.	max.	± 0.13	± 0.08	min.	max.	nom.	max.
39301-26030	M6 x 1.0	0.5	3.0	9.0	9.1	8.89	12.80	13.20	1.50	8.89	12.0	13.5	18.8	11.6
39301-28030	M8 x 1.25	0.5	3.0	11.0	11.1	10.89	15.68	16.28	1.50	10.89	14.0	16.2	20.4	13.8
39301-20035	M10 x 1.5	1.0	3.5	13.0	13.1	12.89	18.50	19.10	2.00	12.89	16.2	19.3	26.0	17.8
39301-22040	M12 x 1.75	1.0	4.0	16.0	16.1	15.88	22.60	23.30	2.25	15.90	19.0	24.2	30.8	22.0

Thread Size	Max. torque	Pull-out	Torque-to-turn		Push-out
	Nm max.	e max. kN	e max. Nm	e min. Nm	e max. kN
M6 x 1.0	17.0	20.6	24.7	14.4	7.1
M8 x 1.25	60.0	28.1	34.6	15.6	10.7
M10 x 1.5	100.0	34.2	62.0	60.8	12.5
M12 x 1.75	135.0	40.9	135.0	62.0	18.3



Can't find what you are looking for?

We can provide unique and customized solutions.
Contact your nearest [Gripwell](#) team for assistance!